

MITO 35

Multipurpose **Drilling Rig**

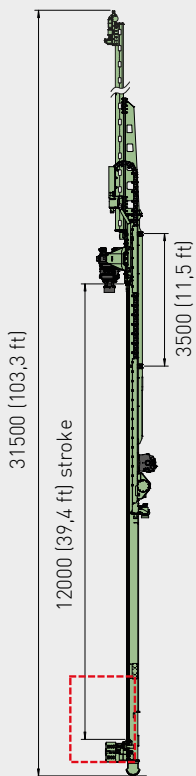


ITALIAN DRILLING RIGS
MANUFACTURERS SINCE 1964

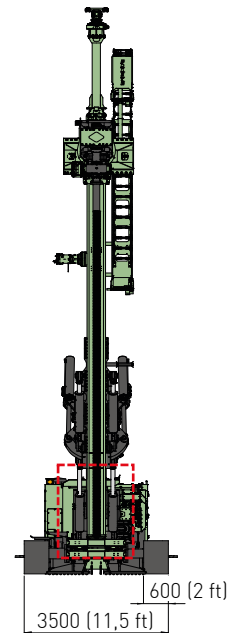
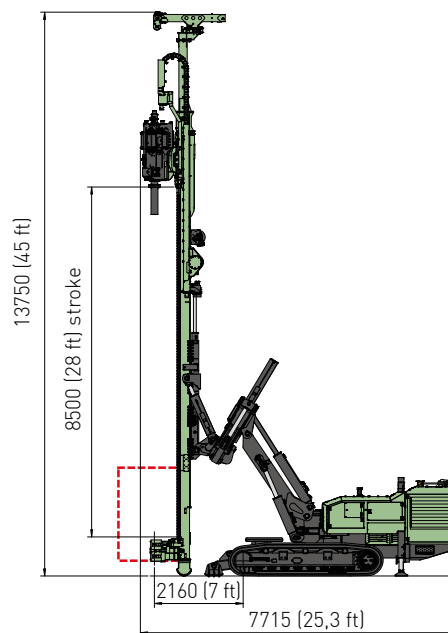
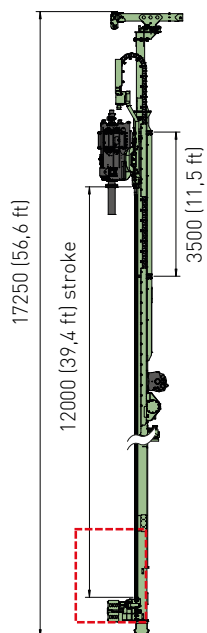


JET GROUTING CONFIGURATION

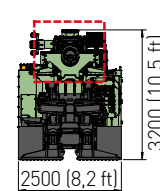
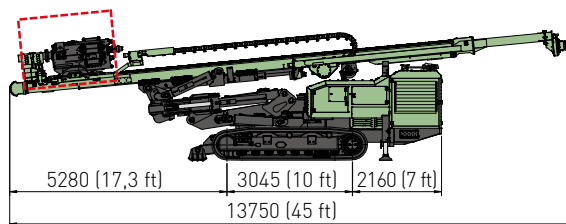
DIMENSIONS



TREATMENT DEPTH SINGLE PASSAGE:
 26,5 m (87 ft) with 12000 mm (39,4 ft) rotary stroke
 22,5 m (73,8 ft) with 8500 mm (27,9 ft) rotary stroke

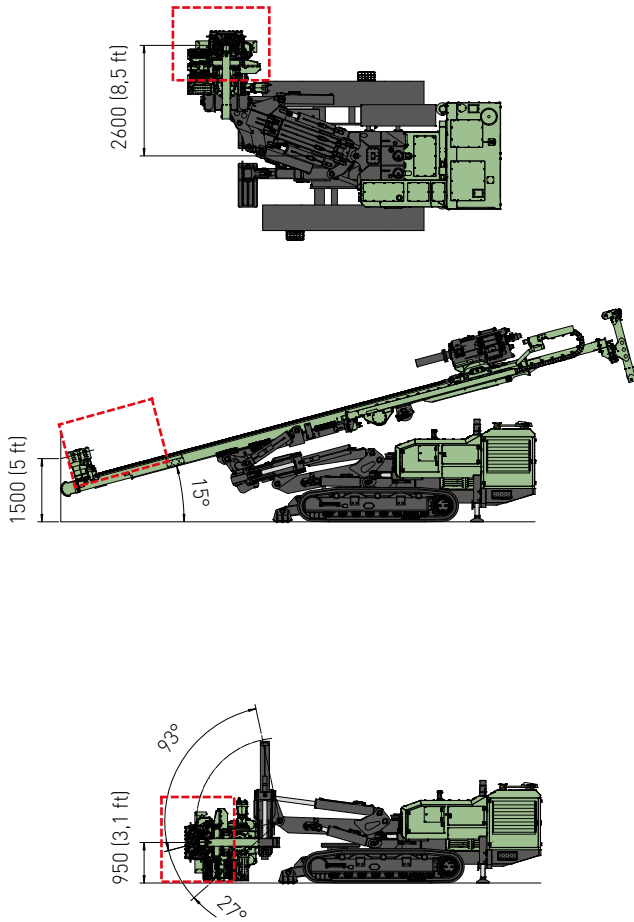


TRANSPORT CONFIGURATION

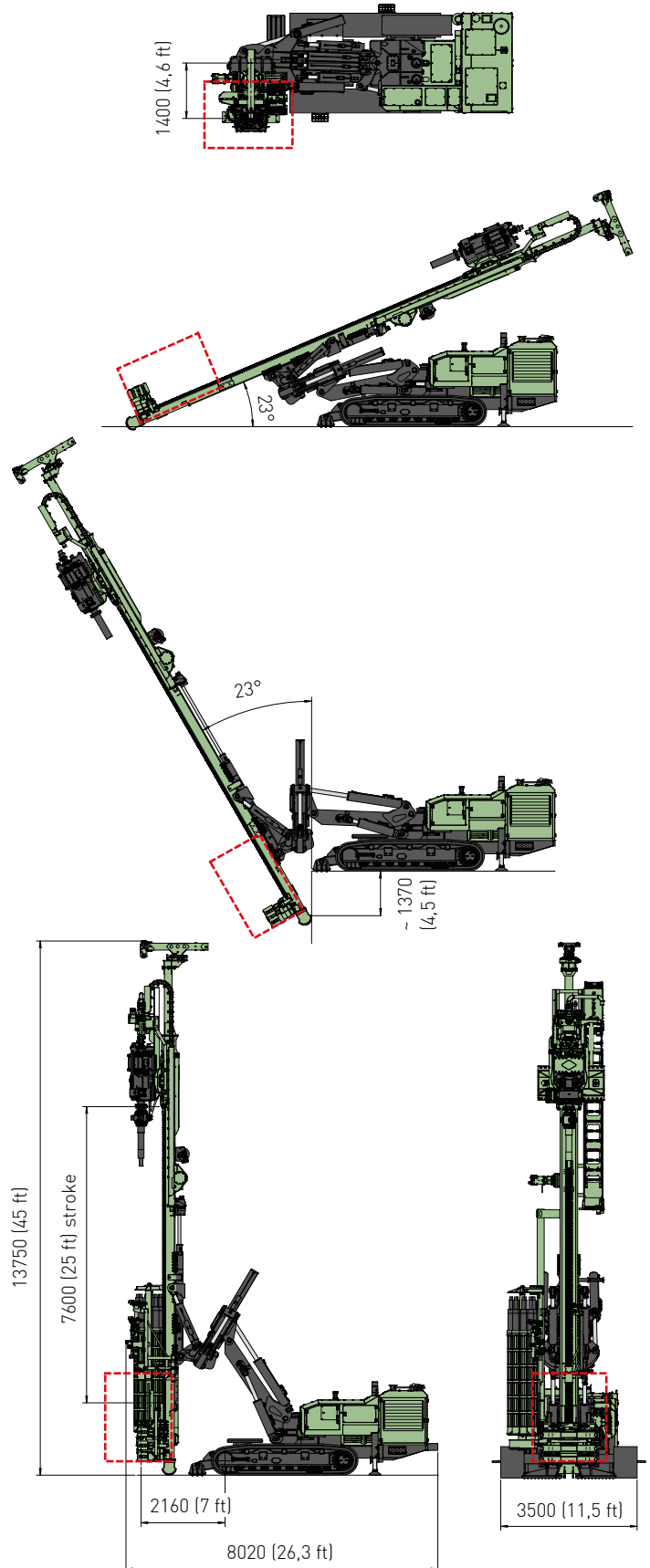
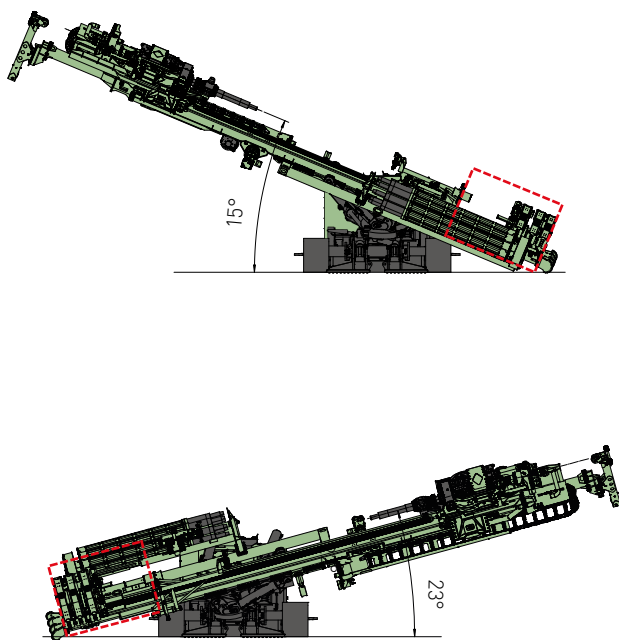


MOTORE DIESEL	DIESEL ENGINE	
Potenza	Power	CAT C7.1 - Stage V - Tier 4 F - 205 kW (275 HP) CAT C7.1 - Stage IIIA - Tier 3 - 205 kW (275 HP)
Capacità serbatoio gasolio	Fuel tank capacity	380 l (100 gal)
Capacità serbatoio olio idraulico	Oil tank capacity	450 l (118 gal)
ANTENNA	MAST	
Corsa testa di rotazione	Rotary head stroke	8500-12000 mm / (27,9-39,4 ft)
Tiro nominale	Nominal Pull-up force	19600 daN (44060 lbf)
Spinta nominale	Nominal Pull-down force	19600 daN (44060 lbf)
TESTA ROTANTI	ROTARY HEADS	
Coppia max.	Max. torque	4320 daNm (31860 lbf*ft)
Velocità max.	Max. speed	190 rpm
DOPPIA TESTA - DOUBLE HEAD KIT		
Rotary superiore R12D100 2 velocità	R12D100 2-speeds upper rotary head	1400 daNm (10300 lbf*ft) / 60 rpm
Rotary inferiore R26D100 2 velocità	R26D100 2-speeds lower rotary head	3400 daNm (25100 lbf*ft) / 30 rpm
MORSE	CLAMP AND BREAKER	
Diametro	Diameter	90-645 mm (3,5"-25,4") / 60-415 mm (2,4"-16,3")
PESO	WEIGHT	
		~36000 - 39000 Kg (~79366-85980 lbf)

MOVEMENTS



Con caricatore
With rod/casing carousel



DOUBLE ROTARY CONFIGURATION

MITO 35

Innovation, Power, Versatility.



ACCESSORI - ACCESSORIES

Caricatore idraulico per aste e tubi di rivestimento	Rods and casing carousel	9 rods and casings Ø 152 mm
Martello idraulico	Hydraulic drifter	
Pompa triplex	Triplex pump	200 l/min - 70 bar / (52 gpm - 1015 PSI)
Pompa schiuma	Foam pump	34 l/min - 38 bar / (9 gpm - 550 PSI)
Pompa lavaggio	Washing pump	15 l/min - 150 bar / (4 gpm - 2175 PSI)
Lubrificatore di linea	Line lubricator	8,5 l/min - (2,25 gpm)
Jet grouting kit	Jet grouting kit	26,5 - 22,5 m (87 - 73,8 ft)
Cilindri estrattori	Casing extractors	
Gru	Crane	

ALTRI OPTIONAL DISPONIBILI A RICHIESTA - OTHER OPTIONALS ARE AVAILABLE ON REQUEST



I dati esposti sul presente catalogo possono variare senza preavviso - Specifications may change without notice